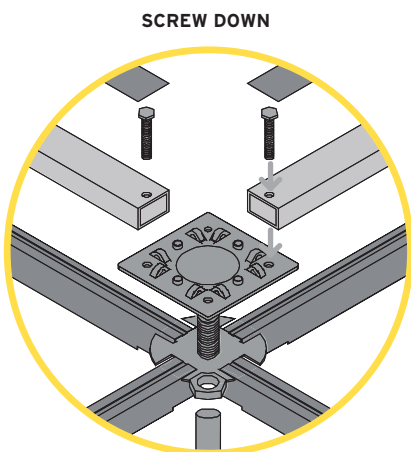
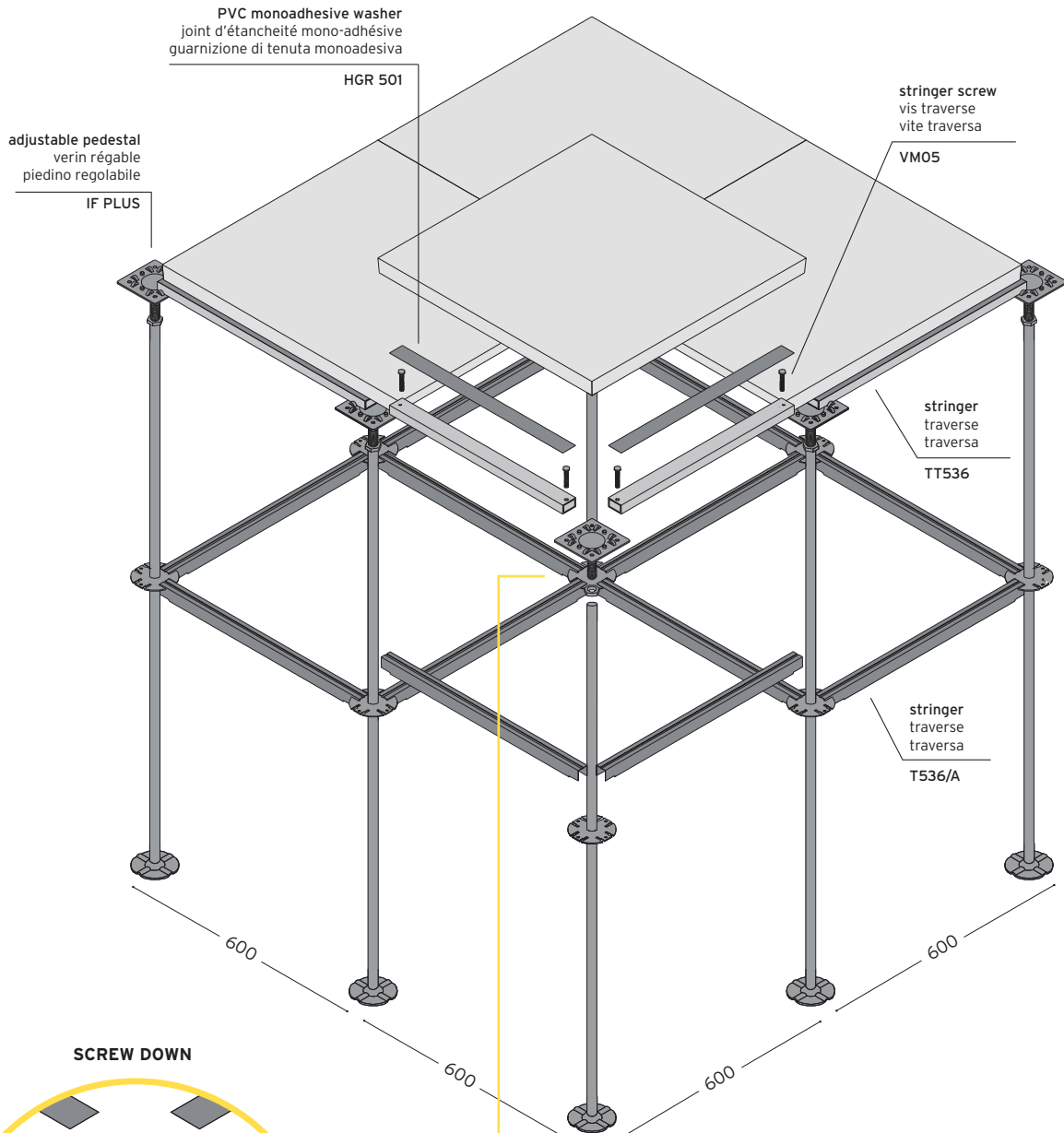
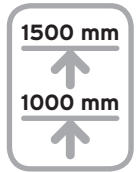




FLOOR SYSTEM **IF PLUS**



PEDESTAL _ VERIN _ PEDESTAL _ PIEDINO		code	height/mm	weight/pcs
<p>IF PLUS</p> <p>adjustable pedestal IF PLUS verin réglable IF PLUS piedino regolabile IF PLUS</p> <p>thickness _ spessore 3 mm</p>		<p>IF PLUS 1000/1250 IF PLUS 1250/1500</p>	<p>1000/1250 1250/1500</p>	<p>1,50 Kg 1,80 Kg</p>
	<p>STRUCTURE _ STRUCTURE _ STRUTTURA stringer _ traverse _ traversa di collegamento system components _ éléments du système elementi del sistema</p>			
<p>TT536</p> <p>open section stringer made with galvanised steel, Screw Down System with PVC washer. traverse à section ouverte en acier galvanisé, système Screw Down avec joint d'étanchéité. traversa di collegamento a sezione aperta in acciaio zincato mod. Screw Down con guarnizioni di tenuta.</p> <p>weight_peso thickness _ spessore 0,440 kg/pcs 1 mm</p>	<p>IF PLUS</p> <p>pedestal _ verin _ piedino</p> <p>size _ dimensioni * incidence _ incidenza ø 90 mm 3,3 pcs/mq</p>	<p>TT536</p> <p>stringer _ traverse _ traversa</p> <p>size _ dimensioni * incidence _ incidenza 30x20x560 mm 6,0 pcs/mq</p>	<p>VM05</p> <p>stringer screw _ vis traverse vite traversa</p> <p>size _ dimensioni * incidence _ incidenza 6 mm 12 pcs/mq</p>	<p>HGR 501</p> <p>PVC mono adhesive washer joint d'étanchéité mono-adhésive guarnizione di tenuta monoadesiva</p> <p>size _ dimensioni * incidence _ incidenza ø 90 mm 6,0 pcs/mq</p>
<p>Technical dates / Aspects of performance value (UNI 13964 - 2005) Dati tecnici / Aspetti pertinenti a valori prestazionali (UNI 13964 - 2005)</p>				
<p>FIRE REACTION _ REAZIONE AL FUOCO (Under structure) Class A1 DM 10/03/05 DEC. 2000/147/CE</p>				
<p>MECHANICAL RESISTANCE _ RESISTENZA MECCANICA (Under structure) 548.80 N/m2 Normal break load/Carico normale di rottura (Under structure) 219.50 N/m2 Normal operating load/Carico normale di esercizio</p>				
<p>DURABILITY _ DURABILITÀ Protection against corrosion _ Protezione contro la corrosione: EN 10327</p>				

*incidence _ incidenza per: area 100 mq > cf. modularity _ modularità pages